



COMPACT UNDERCOUNTER

PRODUCT REFERENCE GUIDE



Note To The Reader:

This booklet was created in November 2013, all conclusions contained within must be viewed with that fact in mind. It is intended to be used as a general product specification tool for use by authorized McDonald's owner/operators only.



LARGE INTERIOR HOLDS
18" X 26" SHEET PANS



3-YEAR PARTS &
LABOR WARRANTY/5 YEARS
ON COMPRESSOR

TRAULSEN COMPACTS: LOW MAINTENANCE, SUPERIOR REFRIGERATION. BUILT TO LAST.

YOUR TIME AND MONEY AREN'T DISPOSABLE; NEITHER ARE OUR COMPACTS.

Traulsen Compact Undercounters pack superior refrigeration into long-lasting, all-metal cabinets. With our rugged construction and durable NSF 7-compliant system, we support the harsh demands of your kitchen while minimizing maintenance and replacement costs.

TRAULSEN COMPACT UNDERCOUNTERS HELP YOU

Reduce Costs:

- Superior temperature maintenance and recovery reduce shrinkage/loss
- Rugged, all-metal construction extends equipment life/minimizes service costs

Increase Refrigeration Space:

- Capacity-maximizing design

Enhance Kitchen Design:

- Front-breathing design, zero clearance installation
- Optional accessories include: ADA-compliant, reduced height castors for lower work areas

Enable Your Employees:

- Self-closing/stay open doors

Enjoy Peace of Mind:

- All models are NSF 7 compliant

MODELS

1 & 2 Section Compact Undercounters:

- 27" & 48" Lengths

Project

Quantity

Item #

Model Specified:

CSI Section 11400

Compact Undercounter Refrigerator Models/Self-Contained



Model UHT27-ZMC01

Standard Product Features

- Stainless Steel Exterior Top, Sides & Doors
- Anodized Aluminum Interior
- Front Breathing Self-Contained Refrigeration System
- Environmentally Friendly R-134a Refrigerant
- Self-Closing Stainless Steel Doors With Stay Open Feature At 105 Degrees
- Anodized Aluminum Interior Door Liner
- Interior Mounted Thermometer
- Two (2) Powder Coated Shelves Per Door, Mounted On Pilasters
- Automatic Non-Electric Condensate Evaporator
- Magnetic Snap-In EZ-Clean Door Gasket(s)
- 8' Cord & Plug Attached
- Set of Four (4) 2 1/2" or 6" High Casters
- Three Year Parts And Labor Warranty
- Five Year Compressor Warranty

27" Wide Refrigerator Models



Stainless Exterior

- 27" Hinged Right 2 1/2" High Casters
- 27" Hinged Left 2 1/2" High Casters
- 27" Hinged Right 6" High Casters w/Backsplash
- 27" Hinged Left 6" High Casters w/Backsplash

- UHT27-ZMC01*
- UHT27-ZMC02*
- UHT27-ZMC03*
- UHT27-ZMC04*

Traulsen's durable, high performance, compact undercounter refrigerator models provide a high quality/high value product for your restaurant.

Durable, built with stainless steel exteriors and anodized aluminum interiors, their heavy duty cabinet construction promises years of useful service. Truly front breathing, their design allows for "zero-clearance" installation. As a result they can be placed right up against the back wall and alongside other kitchen equipment, saving valuable floor space.

Additionally, they offer a wide range of optional accessories to choose from, and are ideal for use with many different type applications.

Optional Accessory Kits*

- CASTER 5SET4 (four 6" high casters for 27" models)
 - CASTER SET4IN (four 4" high casters for 27" models)
 - CASTER SET3IN (four 3-1/2" high casters for 27" models)
 - CASTER SET2IN (four 2-1/2" high casters for 27" models)
 - SHELF CPW1 (additional shelf for all 27" models)
- *Optional accessory kits shipped separately for field installation.**

Factory Installed Options

- Stainless Steel Finished Back
- Other Door Hinges



* Noted models are ENERGY STAR® listed. Please refer to www.energystar.gov to view the most up-to-date product listing and performance data.



Listed by Underwriters Laboratories Inc., to U.S. and Canadian safety standards and NSF International in accordance with ANSI/NSF7.

Approval: _____



TRAUlsen
4401 BLUE MOUND RD.
800.825.8220
traulsen.com

FT. WORTH, TX 76106
FAX-MKTG. 817.624.4302

Project	Quantity	Item #
Model Specified:		CSI Section 11400

Specifications

Construction, Hardware and Insulation

Cabinet exterior front, one piece sides, and doors are constructed of 22 gauge stainless steel. Cabinet interior and door liners are constructed of anodized aluminum. The exterior cabinet back and bottom are constructed of galvanized steel.

Door self close at less than 90 degrees and also include a stay open feature at 105 degrees. Gasket profile and Santoprene® material simplify cleaning and increase overall gasket life. Both the cabinet and door(s) are insulated with an average of 2" thick high density, non-CFC, foamed in place polyurethane.

Refrigeration System

A balanced, rear mounted, front breathing, self-contained refrigeration system using R-134a refrigerant is provided. It features a capillary tube metering device, air-cooled hermetic compressor, a forced air evaporator coil and a non-electric condensate evaporator. An 8' cord and plug is provided. Standard operating temperature for refrigerator models is 34 to 38°F.

Interior

Standard interior arrangements include two (2) powder coated wire shelves per door, mounted on pilasters. These are adjustable in 1/2" increments, allowing for a minimum of 1-1/2" spacing between shelves.

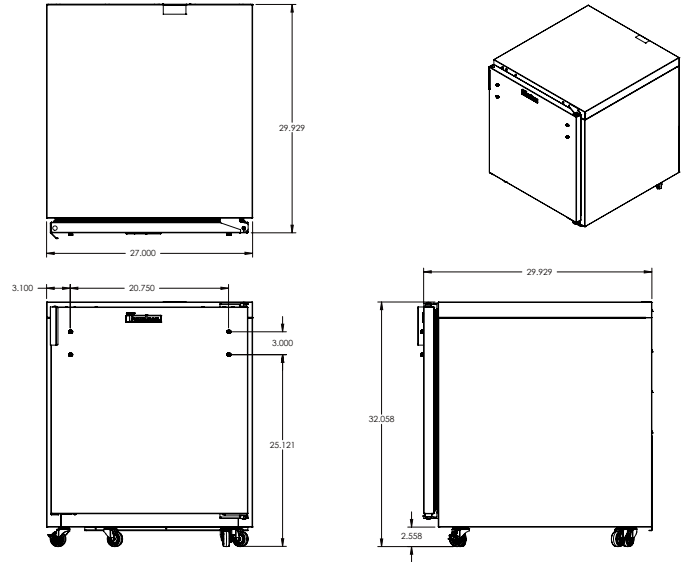
Warranties

Both a three year parts and labor warranty and a five year compressor warranty (self-contained models only) are provided standard.

Cabinet Dimensional Data								
Model	Storage cu. ft.	L x D x H	Width - door	Depth - door open 90°	Clear door opening	# of doors	# of shelves	Total shelf area sq. ft.
UHT27-ZMC01 & UHT27-ZMC02	7.1	27"x30"x32"	25 7/8"	55 3/8"	22 3/4"	1	2	4.88
UHT27-ZMC03 & UHT27-ZMC04	7.1	27"x30"x35 1/2"	25 7/8"	55 3/8"	22 3/4"	1	2	4.88

UHT27-ZMC01 & UHT-ZMC02

(2 1/2" High Caster Models)



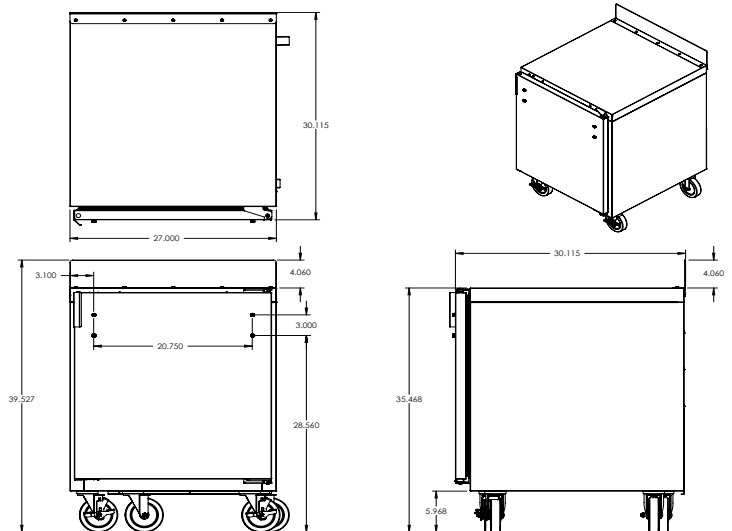
Electrical & Refrigeration Data			Shipping Data		
115/60/1 R-134a NEMA 5-15P			(42"D x 41"H)		
Model	Full Load Amps	BTU/HR - HP	Width - crated	Volume - crated cu. ft.	Weight - lbs.
UHT27-XXXXX	4.7	1520 (1/5)	45"	45	240 net/275 gross

NOTES:

- 1= Based on a 90 degree F ambient and 20 degree F evaporator.
- 2= When ordering please specify: voltage, hinging, optional accessories and any additional warranties.
- 3= Continued product development may necessitate specification changes without notice.

UHT27-ZMC03 & UHT-ZMC04

(6" High Caster Stainless Steel Backsplash Models)



Project

Quantity

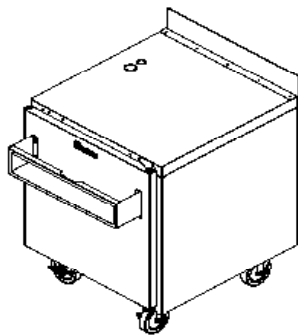
Item #

Model Specified:

CSI Section 11400

Compact Undercounter Refrigerator Espresso Coffee Model/Self-Contained

27" Wide Refrigerator Model



Model UHT27-ZMC05



Stainless Exterior

27" Hinged Right 6" High Casters Espresso Coffee UHT27-ZMC05*

Traulsen's durable, high performance, compact undercounter refrigerator models provide a high quality/high value value product for your restaurant.

Durable, built with stainless steel exteriors and anodized aluminum interiors, their heavy duty cabinet construction promises years of useful service. Truly front breathing, their design allows for "zero-clearance" installation. As a result they can be placed right up against the back wall and alongside other kitchen equipment, saving valuable floor space.

Additionally, they offer a wide range of optional accessories to choose from, and are ideal for use with many different type applications.

Standard Product Features

- Stainless Steel Exterior Top, Sides & Doors
- Anodized Aluminum Interior
- Front Breathing Self-Contained Refrigeration System
- Environmentally Friendly R-134a Refrigerant
- Self-Closing Stainless Steel Doors With Stay Open Feature At 105 Degrees
- Anodized Aluminum Interior Door Liner
- Interior Mounted Thermometer
- Two (2) Powder Coated Shelves Per Door, Mounted On Pilasters
- Exterior Mounted Syrup Rail
- Door Mounted Whip Cream Shelf/Holder
- Automatic Non-Electric Condensate Evaporator
- Magnetic Snap-In EZ-Clean Door Gasket(s)
- 8' Cord & Plug Attached
- Set of Four (4) 6" High Casters
- Three Year Parts And Labor Warranty
- Five Year Compressor Warranty

Optional Accessory Kits*

- CASTER 5SET4 (four 6" high casters for 27" models)
 - CASTER SET4IN (four 4" high casters for 27" models)
 - CASTER SET3IN (four 3-1/2" high casters for 27" models)
 - CASTER SET2IN (four 2-1/2" high casters for 27" models)
 - SHELF CPW1 (additional shelf for all 27" models)
- *Optional accessory kits shipped separately for field installation.

Factory Installed Options

- Stainless Steel Finished Back
- Other Door Hinges



* Noted models are ENERGY STAR® listed. Please refer to www.energystar.gov to view the most up-to-date product listing and performance data.



Listed by Underwriters Laboratories Inc., to U.S. and Canadian safety standards and NSF International in accordance with ANSI/NSF7.

Approval: _____



TRAUlsen
4401 BLUE MOUND RD.
800.825.8220
traulsen.com

FT. WORTH, TX 76106
FAX-MKTG. 817.624.4302

Project	Quantity	Item #
Model Specified:		CSI Section 11400

Specifications

Construction, Hardware and Insulation

Cabinet exterior front, one piece sides, and doors are constructed of 22 gauge stainless steel. Cabinet interior and door liners are constructed of anodized aluminum. The exterior cabinet back and bottom are constructed of galvanized steel.

Door self close at less than 90 degrees and also include a stay open feature at 105 degrees. Gasket profile and Santoprene® material simplify cleaning and increase overall gasket life. Both the cabinet and door(s) are insulated with an average of 2" thick high density, non-CFC, foamed in place polyurethane.

Refrigeration System

A balanced, rear mounted, front breathing, self-contained refrigeration system using R-134a refrigerant is provided. It features a capillary tube metering device, air-cooled hermetic compressor, a forced air evaporator coil and a non-electric condensate evaporator. An 8' cord and plug is provided. Standard operating temperature for refrigerator models is 34 to 38°F.

Interior

Standard interior arrangements include two (2) powder coated wire shelves per door, mounted on pilasters. These are adjustable in 1/2" increments, allowing for a minimum of 1-1/2" spacing between shelves.

Warranties

Both a three year parts and labor warranty and a five year compressor warranty (self-contained models only) are provided standard.

Electrical & Refrigeration Data 115/60/1 R-134a NEMA 5-15P			Shipping Data (42"D x 41"H)		
Model	Full Load Amps	BTU/HR - HP	Width - crated	Volume - crated cu. ft.	Weight - lbs.
UHT27-XXXXX	4.7	1520 (1/5)	45"	45	240 net/275 gross

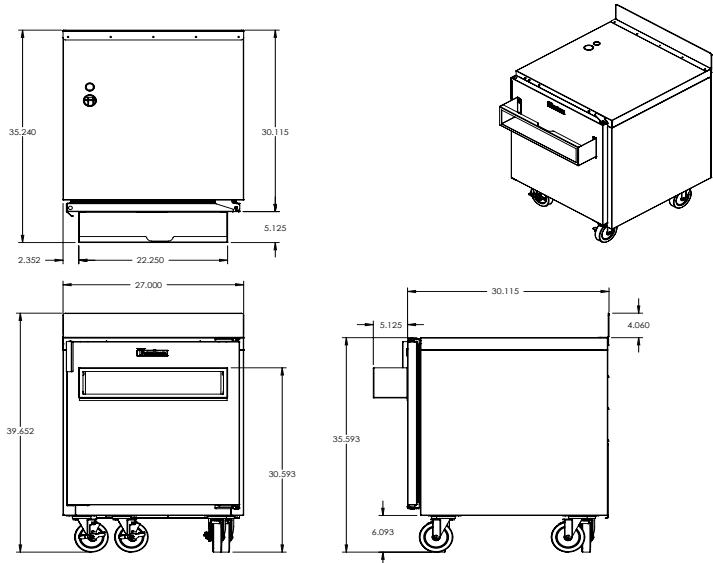
NOTES:

- Based on a 90 degree F ambient and 20 degree F evaporator.
- When ordering please specify: voltage, hinging, optional accessories and any additional warranties.
- Continued product development may necessitate specification changes without notice.

Cabinet Dimensional Data								
UHT27-ZMC05	7.1	27"x30"x35 1/2"	25 7/8"	55 3/8"	22 3/4"	1	2	4.88

UHT27-ZMC05

(6" High) Castor Stainless Steel Backsplash Espresso Coffee Models



Project

Quantity

Item #

Model Specified:

CSI Section 11400

Compact Undercounter Refrigerator Models/Self-Contained



Model UHT48-ZMC02

48" Wide Refrigerator Models



Stainless Exterior

48" Hinged Left/Right 6" High Casters w/Backsplash UHT48-ZMC02*

Traulsen's durable, high performance, compact undercounter refrigerator models provide a high quality/high value value product for your restaurant.

Durable, built with stainless steel exteriors and anodized aluminum interiors, their heavy duty cabinet construction promises years of useful service. Truly front breathing, their design allows for "zero-clearance" installation. As a result they can be placed right up against the back wall and alongside other kitchen equipment, saving valuable floor space.

Additionally, they offer a wide range of optional accessories to choose from, and are ideal for use with many different type applications.

Standard Product Features

- Stainless Steel Exterior Top, Sides & Doors
- Anodized Aluminum Interior
- Front Breathing Self-Contained Refrigeration System
- Environmentally Friendly R-134a Refrigerant
- Self-Closing Stainless Steel Doors With Stay Open Feature At 105 Degrees
- Anodized Aluminum Interior Door Liner
- Interior Mounted Thermometer
- Two (2) Powder Coated Shelves Per Door, Mounted On Pilasters
- Automatic Non-Electric Condensate Evaporator
- Magnetic Snap-In EZ-Clean Door Gasket(s)
- 8' Cord & Plug Attached
- Set of Four (4) 6" High Casters
- Three Year Parts And Labor Warranty
- Five Year Compressor Warranty

Optional Accessory Kits*

- CASTER SET4IN (four 4" high casters for 48" models)
 - CASTER SET3IN (four 3-1/2" high casters for 48" models)
 - SHELF48 UPPER (upper shelf for all 48" models)
 - SHELF48 LOWER (lower shelf for all 48" models)
- *Optional accessory kits shipped separately for field installation.

Factory Installed Options

- Stainless Steel Finished Back
- Other Door Hingings



* Noted models are ENERGY STAR® listed. Please refer to www.energystar.gov to view the most up-to-date product listing and performance data.



Listed by Underwriters Laboratories Inc., to U.S. and Canadian safety standards and NSF International in accordance with ANSI/NSF7.

Approval: _____



TRAUlsen
4401 BLUE MOUND RD.
800.825.8220
traulsen.com

FT. WORTH, TX 76106
FAX-MKTG. 817.624.4302

Project	Quantity	Item #
Model Specified:		CSI Section 11400

Specifications

Construction, Hardware and Insulation

Cabinet exterior front, one piece sides, and doors are constructed of 22 gauge stainless steel. Cabinet interior and door liners are constructed of anodized aluminum. The exterior cabinet back and bottom are constructed of galvanized steel.

Door self close at less than 90 degrees and also include a stay open feature at 105 degrees. Gasket profile and Santoprene® material simplify cleaning and increase overall gasket life. Both the cabinet and door(s) are insulated with an average of 2" thick high density, non-CFC, foamed in place polyurethane.

Refrigeration System

A balanced, rear mounted, front breathing, self-contained refrigeration system using R-134a refrigerant is provided. It features a capillary tube metering device, air-cooled hermetic compressor, a forced air evaporator coil and a non-electric condensate evaporator. An 8' cord and plug is provided. Standard operating temperature for refrigerator models is 34 to 38°F.

Interior

Standard interior arrangements include two (2) powder coated wire shelves per door, mounted on pilasters. These are adjustable in 1/2" increments, allowing for a minimum of 1-1/2" spacing between shelves.

Warranties

Both a three year parts and labor warranty and a five year compressor warranty (self-contained models only) are provided standard.

Cabinet Dimensional Data								
Model	Storage cu. ft.	LxDxH	Width - door	Depth - door open 90°	Clear door opening	# of doors	# of shelves	Total shelf area sq. ft.
UHT48-ZMC02	13.1	48"x30"x35 1/2"	21 1/8"	50 5/8"	18"	2	4	10.3

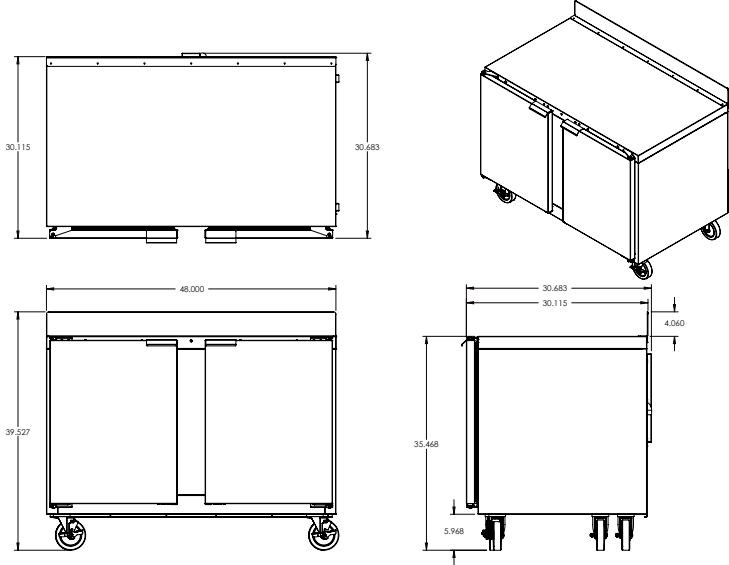
UHT48-ZMC02

(6" High Caster Stainless Steel Backsplash Models)

Electrical & Refrigeration Data 115/60/1 R-134a NEMA 5-15P			Shipping Data (42"D x 41"H)		
Model	Full Load Amps	BTU/HR - HP	Width - crated	Volume - crated cu. ft.	Weight - lbs.
UHT48-ZMC02	6.3	1520 (1/5)	69"	69	355 net/400 gross

NOTES:

- 1= Based on a 90 degree F ambient and 20 degree F evaporator.
- 2= When ordering please specify: voltage, hinging, optional accessories and any additional warranties.
- 3= Continued product development may necessitate specification changes without notice.



Project

Quantity

Item #

Model Specified:

CSI Section 11400

Compact Undercounter Freezer Models/Self-Contained



Model ULT27-ZMC01

27" & 48" Wide Freezer Models



27" Hinged Right 2 1/2" High Casters	ULT27-ZMC01
27" Hinged Left 2 1/2" High Casters	ULT27-ZMC02
27" Hinged Right 6" High Casters w/Backsplash	ULT27-ZMC03
27" Hinged Left 6" High Casters w/Backsplash	ULT27-ZMC04
48" Hinged Left/Right 6" High Casters w/Backsplash	ULT48-ZMC02

Traulsen's durable, high performance, compact undercounter freezer models provide a high quality/high value value product for your restaurant.

Durable, built with stainless steel exteriors and anodized aluminum interiors, their heavy duty cabinet construction promises years of useful service. Truly front breathing, their design allows for "zero-clearance" installation. As a result they can be placed right up against the back wall and alongside other kitchen equipment, saving valuable floor space.

Additionally, they offer a wide range of optional accessories to choose from, and are ideal for use with many different type applications.

Standard Product Features

- Stainless Steel Exterior Top, Sides & Doors
- Anodized Aluminum Interior
- Front Breathing Self-Contained Refrigeration System
- Environmentally Friendly R-404A Refrigerant
- Self-Closing Stainless Steel Doors With Stay Open Feature At 105 Degrees
- Anodized Aluminum Interior Door Liner
- Interior Mounted Thermometer
- Two (2) Powder Coated Shelves Per Door, Mounted On Pilasters
- Automatic Non-Electric Condensate Evaporator
- Magnetic Snap-In EZ-Clean Door Gasket(s)
- 8' Cord & Plug Attached
- Set of Four (4) 2 1/2" or 6" High Casters
- Three Year Parts And Labor Warranty
- Five Year Compressor Warranty

Optional Accessory Kits*

- CASTER 5SET4 (four 6" high casters for 27" & 48" models)
- CASTER SET4IN (four 4" high casters for 27" & 48" models)
- CASTER SET3IN (four 3-1/2" high casters for 27" & 48" models)
- CASTER SET2IN (four 2-1/2" high casters for 27" models)
- SHELF CPW1 (additional shelf for all 27" models)
- SHELF48 UPPER (upper shelf for all 48" models)
- SHELF48 LOWER (lower shelf for all 48" models)

*Optional accessory kits shipped separately for field installation.

Factory Installed Options

- Stainless Steel Finished Back
- Other Door Hingings



Listed by Underwriters Laboratories Inc., to U.S. and Canadian safety standards and NSF International in accordance with ANSI/NSF7.

Approval: _____



TRAULSEN
4401 BLUE MOUND RD.
800.825.8220
traulsen.com

FT. WORTH, TX 76106
FAX-MKTG. 817.624.4302

Project	Quantity	Item #
Model Specified:		CSI Section 11400

Specifications

Construction, Hardware and Insulation

Cabinet exterior front, one piece sides, and doors are constructed of 22 gauge stainless steel. Cabinet interior and door liners are constructed of anodized aluminum. The exterior cabinet back and bottom are constructed of galvanized steel.

Door self close at less than 90 degrees and also include a stay open feature at 105 degrees. Gasket profile and Santoprene® material simplify cleaning and increase overall gasket life. Both the cabinet and door(s) are insulated with an average of 2" thick high density, non-CFC, foamed in place polyurethane.

Refrigeration System

A balanced, rear mounted, front breathing, self-contained refrigeration system using R-404A refrigerant is provided. It features a TXV valve, air-cooled hermetic compressor, a forced air evaporator coil and a non-electric condensate evaporator. An 8' cord and plug is provided. Standard operating temperature for freezer models is 0 to -5°F.

Interior

Standard interior arrangements include two (2) powder coated wire shelves per door, mounted on pilasters. These are adjustable in 1/2" increments, allowing for a minimum of 1-1/2" spacing between shelves.

Warranties

Both a three year parts and labor warranty and a five year compressor warranty (self-contained models only) are provided standard.

Electrical & Refrigeration Data			Shipping Data		
115/60/1 R-404A NEMA 5-15P			(42"D x 41"H)		
Model	Full Load Amps	BTU/HR - HP	Width - crated	Volume - crated cu. ft.	Weight - lbs.
ULT27-XXXXX	8.0	1930 (1/2)	45"	45	240 net/275 gross
ULT48-ZMC02	8.0	1930 (1/2)	69"	69	355 net/400 gross

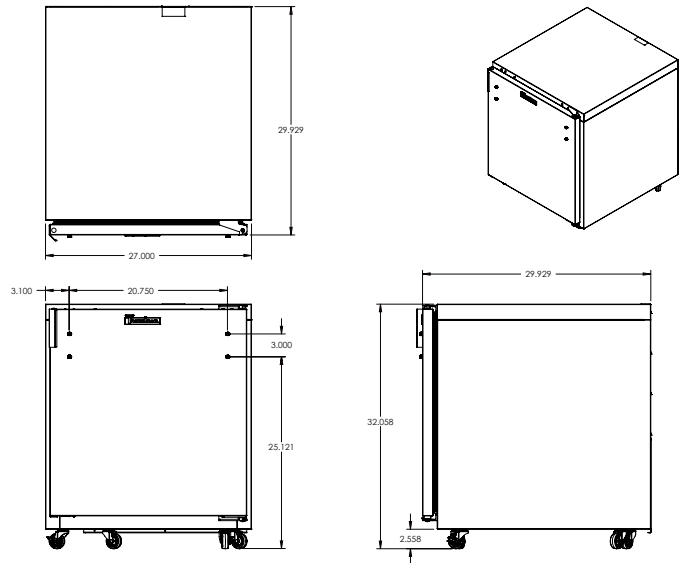
NOTES:

- Based on a 90 degree F ambient and 20 degree F evaporator.
- When ordering please specify: voltage, Hinging, Optional Accessories and any additional warranties.
- Continued product development may necessitate specification changes without notice.

Cabinet Dimensional Data								
Model	Storage cu. ft.	L x D x H	Width - door	Depth - door open 90°	Clear door opening	# of doors	# of shelves	Total shelf area sq. ft.
ULT27-ZMC01 & ULT27-ZMC02	7.1	27"x30"x32"	25 7/8"	55 3/8"	22 3/4"	1	2	4.88
ULT27-ZMC03 & ULT27-ZMC04	7.1	27"x30"x35 1/2"	25 7/8"	55 3/8"	22 3/4"	1	2	4.88
ULT48-ZMC02	13.1	48"x30"x35 1/2"	21 1/8"	50 5/8"	18"	2	4	10.3

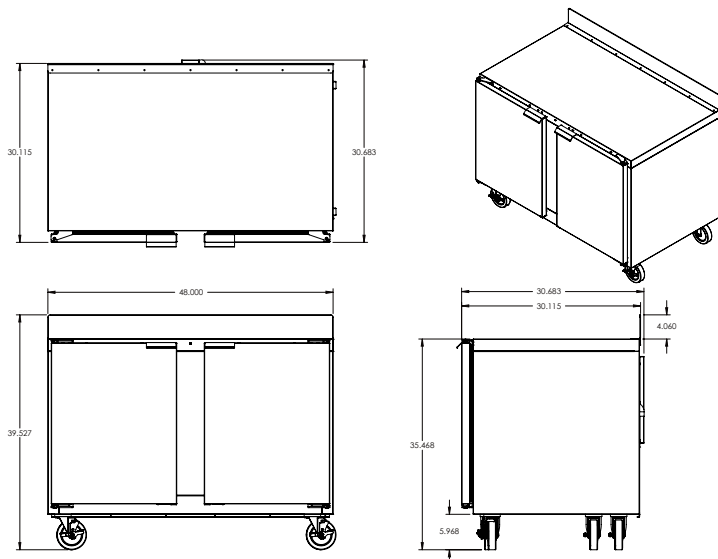
ULT27-ZMC01 & ULT-ZMC02

(2 1/2" High Caster Models)



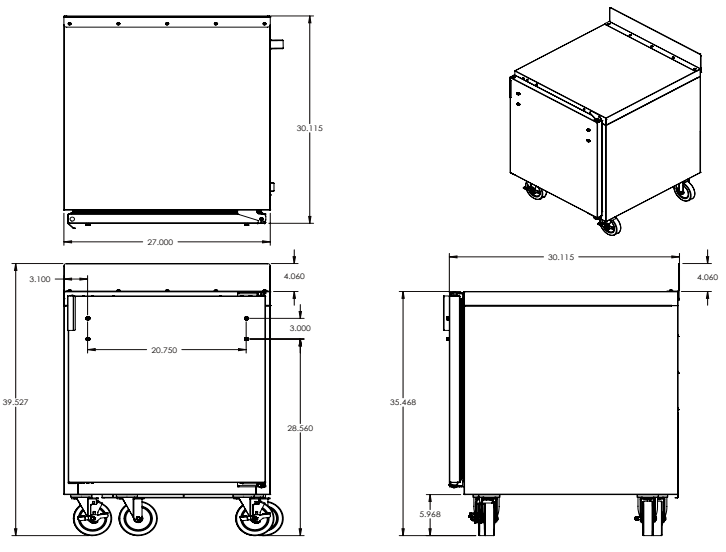
ULT48-ZMC02

(6" High Caster Stainless Steel Backsplash Models)



ULT27-ZMC03 & ULT-ZMC04

(6" High Caster Stainless Steel Backsplash Models)



Notes:

THERE IS A TRAUlsen DIFFERENCE, LET US SHOW YOU.



4401 Blue Mound Road, Fort Worth, TX 76106
800.825.8220 | traulsen.com

